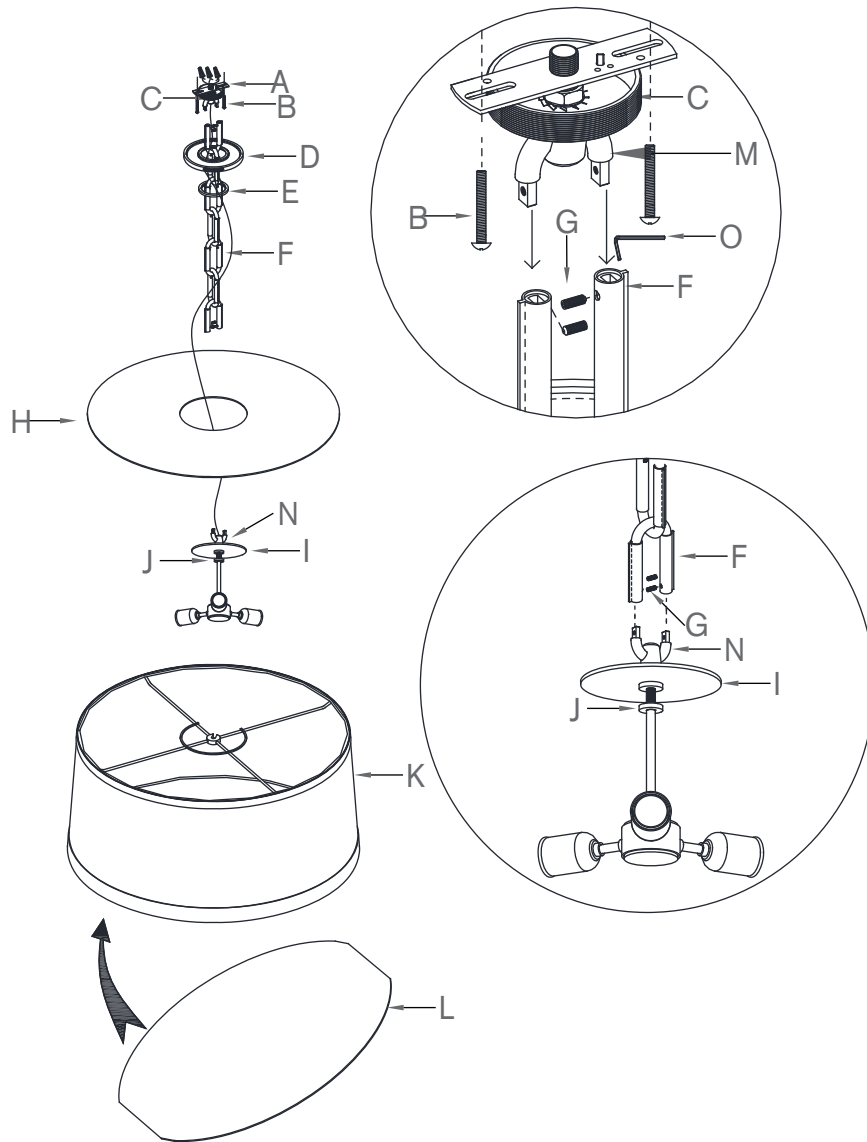


## ASSEMBLY INSTRUCTIONS



## Cody Large Hanging Shade

Item # RL 5534

### NOTICE:

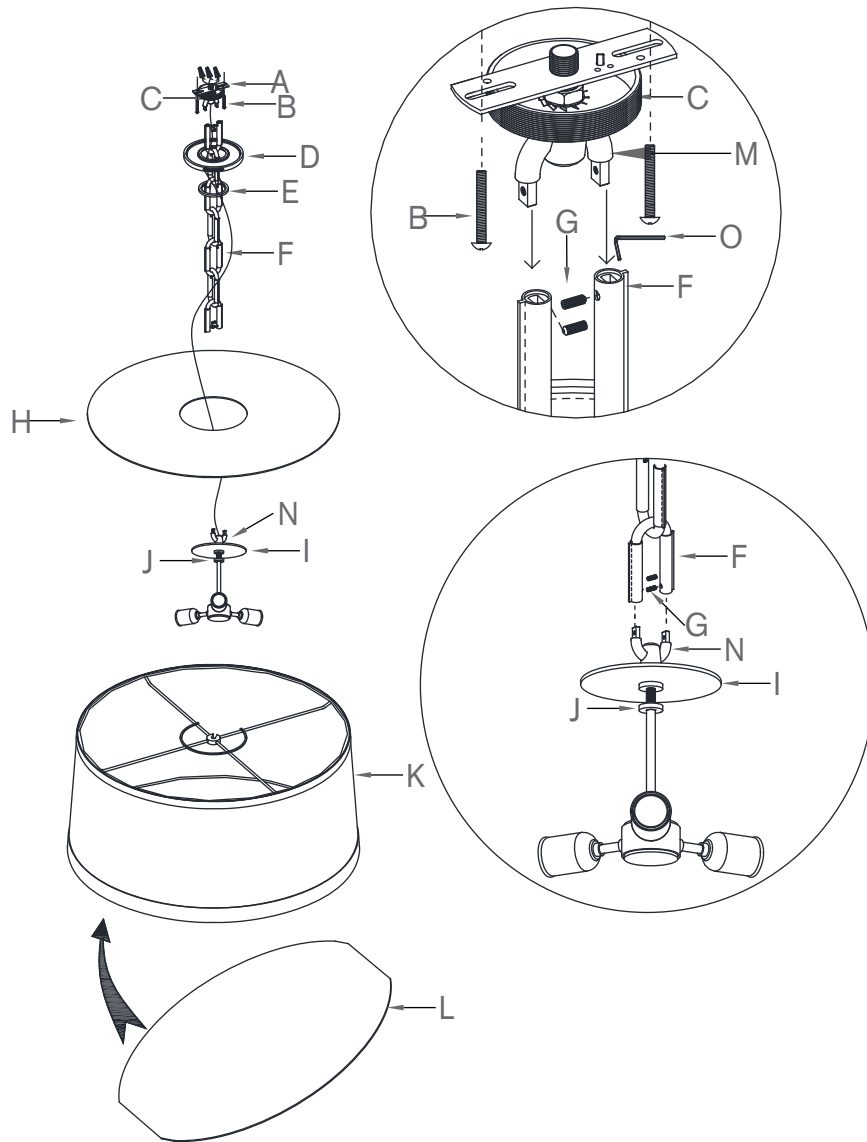
This light fixture should be installed in accordance with all applicable, local installation codes, and by a person familiar with the construction and operation of it, as well as the hazards involved. Inspect item and contents carefully. If any damage or defect is found, do not install. Retain all packaging material until installation is complete and approved.

1. Carefully remove all parts from the carton.
2. Place shade cover (H) on top of socket assembly (I).
3. Loosen set screws (G) by using Allen wrench (O), join one end of chain (F) with part (M) together, another end of chain (F) with part (N) together, secure by inserting the set screws (G) to the holes and tighten with Allen wrench (O).
4. Unscrew canopy ring (E), slide canopy ring (E) and canopy (D) on chain (F).
5. Feed the wires through the chain (F), canopy ring (E), canopy (D) and mounting loop (C).
6. Attach mounting strap (A) to ceiling outlet box and secure with mounting screws (B) provided.
7. Attach the bare copper ground from the fixture to the ground junction box wire (usually green or copper), fasten together with a plastic wire connector. Tightly wrap the wire connector with electrical tape. Be sure no wire strands are exposed. **IT IS IMPERATIVE THAT THE OUTLET BOX IN YOUR HOME BE PROPERLY GROUNDED.**
8. Connect neutral wire from fixture (ribbed molded wire) to the neutral wire from the junction box (usually white). Fasten both wires together with a plastic wire connector and tightly wrap the wire connector with electrical tape. Be sure no wire strands are exposed.

# RALPH LAUREN



## ASSEMBLY INSTRUCTIONS



## Cody Large Hanging Shade

Item # RL 5534

### NOTICE:

This light fixture should be installed in accordance with all applicable, local installation codes, and by a person familiar with the construction and operation of it, as well as the hazards involved. Inspect item and contents carefully. If any damage or defect is found, do not install. Retain all packaging material until installation is complete and approved.

9. Connect the hot wires from the fixture (smooth wire) to the hot wire (usually black ) from the junction box. Fasten both wires together with a plastic wire connector and wrap the connection with electrical tape. **DO NOT REVERSE THE HOT AND NEUTRAL CONNECTIONS OTHERWISE SAFETY WILL BE COMPROMISED.**
10. Tuck the wire connections neatly into the ceiling outlet box.
11. Slip canopy (D) to ceiling and secure with canopy ring (E).
12. Attach shade (K) to the socket assembly (I) and secure with the location ring (J).
13. Insert light bulbs (not included) into sockets
14. Insert diffuser (L) into the bottom of shade (K).
15. Restore power and test fixture. Installation is complete.

**Care Instructions:** Clean only with a soft dry cloth or feather duster. Do not use abrasive or chemical agents.

# RALPH LAUREN

